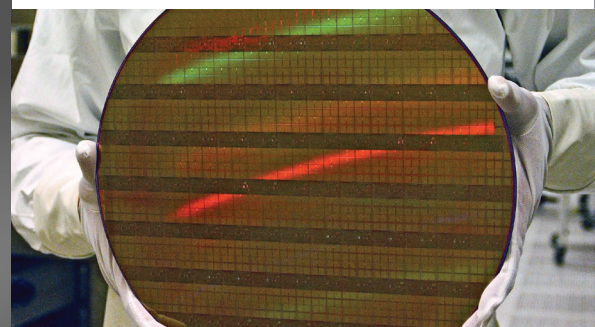




FURON[®]
Pure Performance



Furon[®] HPV Valve (Mini)

Pneumatically Actuated, 2-Way Valve (1/8" Orifice)

Description

Furon HPV Valves are compact and robust and offer superior performance and reliability in applications involving aggressive chemistries.

Furon HPV Valve construction is based on Saint-Gobain's industry-proven design but specifically geared to reduce liquid entrapment and improve clean up time. Featuring a compact footprint and a large variety of connection styles, Furon HPV Valves can easily be integrated into installations where space is at a premium.

Applications

Engineered to improve clean up time and minimize liquid entrapment, Furon HPV Valves are ideal for use in the semiconductor industry or applications that require the use of high purity and/or superior chemicals.



Features and Benefits

- Pressure rated up to 80 PSIG
- True 1/8" orifice valve
- Visual position indicator with option for optic fiber sensor
- Lowest internal volume in the industry for a 1/8" valve
- Optimum Cv
- HPV valves with an 1/8" orifice design have been tested for more than 1 million cycles

ASK AN ENGINEER



SAINT-GOBAIN

Furon HPV Valve (Mini) - Pneumatically Actuated, 2-Way

Part Number	Actuation	End Connection	Orifice (in.)	Port Size (in.)
HPV2-S30022-NC	Normally Closed	Nippon Pillar Super 300®	1/8"	1/8"
HPV2-S30022-NO	Normally Open	Nippon Pillar Super 300®	1/8"	1/8"

Product Specification

Connection S300

Actuation Pneumatic NC

Pressure rating

- Pilot pressure 65-80 psig (4.5 to 5.5 bar)
- Liquid pressure
- Forward pressure 100 psig (6.9 bar)
- Back pressure 80 psig (5.5 bar)
- Combined pressure 160 psig (11 bar)

Temperature rating

- Liquid temperature 32-203°F (0 to 95°C)
Please consult factory for higher temperature >>
- Environmental temperature 72°F

Orifice size 1/8" (True)

Cv performance 0.06

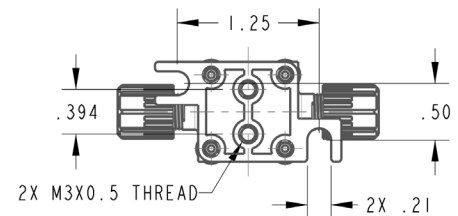
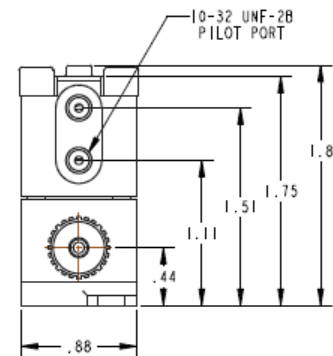
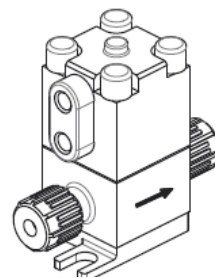
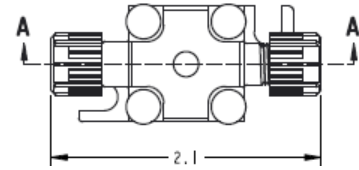
Options (Please consult factory for details >>)

Additional end connections available:

- FNPT
- Grab Seal
- Custom Manifold

Additional Furon HPV Valves

Furon HPV Valve (Mini) - Manually Actuated, 2-Way Multi-Turn
Furon HPV Valve (Mini) - Manually Actuated, 2-Way Toggle



Saint-Gobain Performance Plastics
7301 Orangewood Avenue
Garden Grove, CA 92841

1-800-833-5661
Tel: (714) 630-5818
Fax: (714) 688-2614

www.processsystems.saint-gobain.com

NOTE: The data and details given in this document are correct and up to date. This document is intended to provide information about the product and possible applications. This document is not the product specification and does not provide specific features, nor does it guarantee product performance in specific applications. Saint-Gobain cannot anticipate or control the conditions of the field and for this reason strongly recommends that practical tests are conducted to ensure that the product meets the requirements of a specific application.

Furon®, FlareGrip® and FuseBond™ are registered trademarks of Saint-Gobain Performance Plastics. Nippon Pillar Super 300® is a registered trademark of Nippon Pillar Packing Co...

IMPORTANT: It is the user's responsibility to ensure the suitability and safety of Saint-Gobain Performance Plastics products for all intended uses and that the components to be used comply with all applicable regulatory requirements. Saint-Gobain Performance Plastics assumes no responsibility for any product failures that occur due to misuse arising out of the design, fabrication or application of the products into which they are incorporated.

WARRANTY: For a period of 12 months from the date of first sale, Saint-Gobain Performance Plastics warrants this product to be free of defects in materials and workmanship. The only obligation under any applicable product warranty will be to replace any portion proving defective, or at our option, to refund the purchase price thereof. THIS IS THE EXCLUSIVE WARRANTY AND IS EXPRESSLY IN LIEU OF ANY AND ALL OTHER OBLIGATIONS, GUARANTEES, WARRANTIES AND REPRESENTATIONS. SAINT-GOBAIN PERFORMANCE PLASTICS DISCLAIMS ALL IMPLIED WARRANTIES OF MERCHANTABILITY AND FITNESS FOR A PARTICULAR PURPOSE.